

## ARPV-LV12060 (12V, 5A, 60W) ARPV-LV24060 (24V, 2.5A, 60W)

### Application

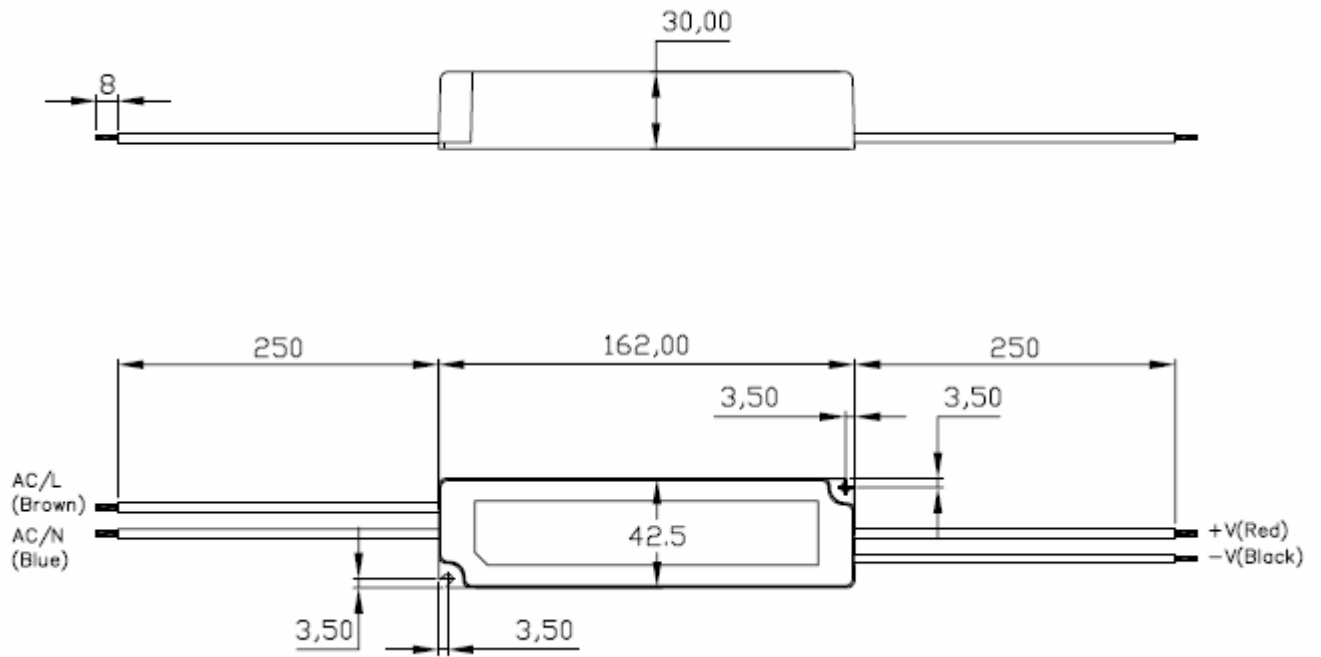
- Constant voltage mode power supply
- Universal AC input/Full range
- Protections: Short circuit/Over current/ Over Voltage
- Small and compact size
- UL1310 Class 2 power unit
- 100% full load burn-in test
- Suitable for LED lighting and moving sign applications
- 2 years warranty



### Specification

MODEL		ARPV-LV12060 (12V, 5A, 60W)	ARPV-LV24060 (24V, 2.5A, 60W)
OUTPUT	DC VOLTAGE	12V	24V
	RATED CURRENT	5A	2.5A
	CURRENT RANGE	0~5A	0~2.5A
	RATED POWER	60W	60W
	RIPPLE & NOISE (max.)	120mVp-p	200mVp-p
	VOLTAGE TOLERANCE	±3.0%	
	LINE REGULATION	±1.0%	
	LOAD REGULATION	±2.0%	
	SETUP,RISE TIME	500ms, 250ms/230VAC 500ms, 250ms/115ac at full load	
	HOLD UP TIME(Typ.)	50ms/230VAC 24ms/115VAC at full load	
INPUT	VOLTAGE RANGE	180-264VAC	180-264VAC
	FREQUENCY RANGE	47~63Hz	
	EFFICIENCY(Typ.)	82% full load	84% full load
	AC CURRENT(at full load)	1.2A/100VAC 0.70A/240AC	
	INRUSH CURRENT (max.)	COLD STAT 70A/230VAC 35A/115VAC	
	LEAKAGE CURRENT	0.25mA/240VAC	
PROTECTION	OVER CURRENT SHORT CIRCUIT	Above 150%~200%rated output power or short circuit. Protection type: Hiccup mode, recovers automatically after fault condition is removed.	
	OVER VOLTAGE	Protection type: Hiccup mode, recovers automatically after fault condition is removed.	
	OVER TEMPERATURE	Tj 140°C typically(IC1) Detect on main control IC	
		Protection type: Hiccup mode, recovers automatically after temperature goes down	
ENVIRONMENT	WORKING TEMP.	-20~+50°C	
	WORKING HUMIDITY	20~90% RH non-condensing	
	STORAGE TEMP, HUMIDITY	-40~+80°C, 10°C~95% RH	
	TEMP.COEFFICIENT	±0.03%/°C (0°C~50°C)	
	VIBRATION	10 ~ 500Hz, 2G 10min./1cycle, period for 60min. each along X,Y, Zaxes	
SAFETY & EMC	SAFETY STANDARDS	Design refer to UL1310 Class 2,TUV EN60950-1, EN61347-2-13, CAN/CSA C22.2 No. 223-M91,meet IP65	
	WITHSTAND VOLTAGE	I/P-O/P:3KVAC	
	ISOLATION RESISTANCE	I/P-O/P:>100M Ohms / 500VDC / 25°C~70%RH	
	EMI CONDUCTION & RADIATION	Compliance to EN55022 (CISPR22) Class B	
	HARMONIC CURRENT	Compliance to EN61000-3-2,-3	
EMS IMMUNITY	Compliance to EN61000-4-2,3,4,5,6,8,11; ENV50204, EN55024, light industry level, criteria A		
DIMENSION		162*42.5*30mm (L*W*H)	

## Mechanical Specification



## Block Diagram

